

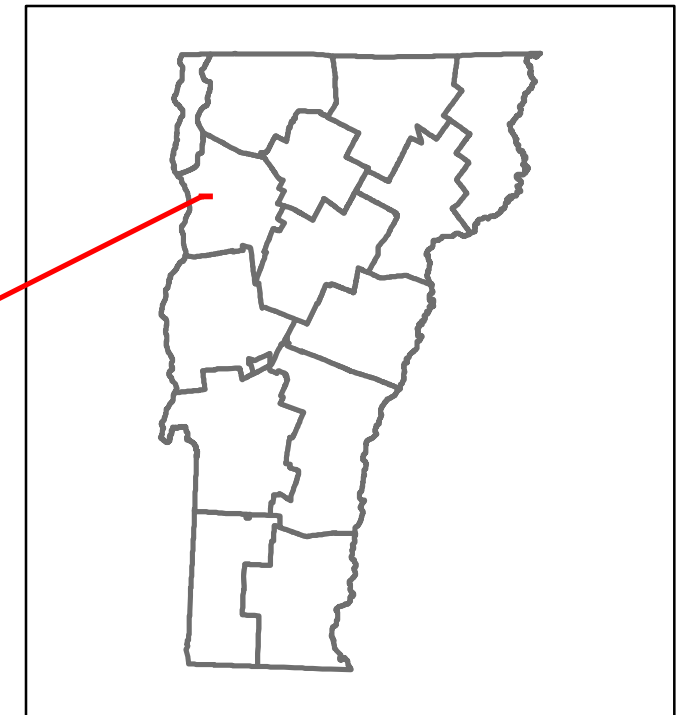


Route Log and Progress Chart

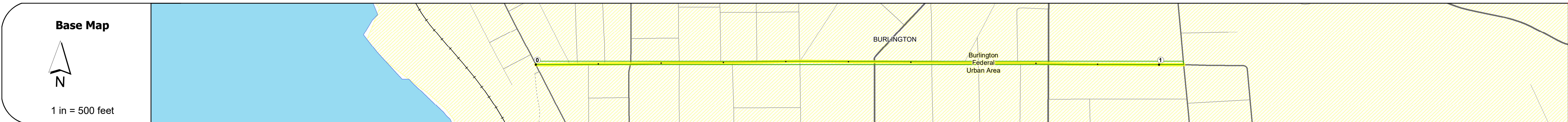
DRAFT

Please Note: Errors and Omissions May Exist.
Contact the VTrans Mapping Section with questions or concerns.

DISTRICT	TOWN	ROUTE
5	BURLINGTON	Urb-5032



Urb-5032



STRUCTURE DESCRIPTIONS

Road Widths	Travellane	Roadway	Lane Count	Base	Subbase
	22	22	2	28	28

Curves	
--------	--

Grades	
--------	--

Guardrails	
------------	--

Rumblestrips	
--------------	--

Historic Projects	<p>1984: Unknown</p> <p>1977: M 5000(x)</p> <p>1983: Unknown</p> <p>0 TH</p>
-------------------	--

Maintenance Garage	
--------------------	--

Speed Zone	
------------	--

Functional Class	5
------------------	---

National Highway System	
-------------------------	--

Limited Access Highway	
------------------------	--

Customer Service Level	
------------------------	--

Traffic Counters	D437, BURL144, BURL143, D438, D439
------------------	------------------------------------

ADT	<table border="1"> <tr> <th>Year</th> <th>2412</th> <th>3790</th> <th>5168</th> <th>4363</th> <th>3563</th> <th>2539</th> </tr> <tr> <td>2021</td> <td>2152</td> <td>3382</td> <td>4610</td> <td>3894</td> <td>3178</td> <td>2266</td> </tr> <tr> <td>2020</td> <td>2615</td> <td>4109</td> <td>5602</td> <td>4732</td> <td>3861</td> <td>2753</td> </tr> <tr> <td>2019</td> <td>3000</td> <td>3800</td> <td>5300</td> <td>4900</td> <td>3900</td> <td>2900</td> </tr> <tr> <td>2018</td> <td>3000</td> <td>3900</td> <td>5400</td> <td>5000</td> <td>4000</td> <td>2900</td> </tr> </table>	Year	2412	3790	5168	4363	3563	2539	2021	2152	3382	4610	3894	3178	2266	2020	2615	4109	5602	4732	3861	2753	2019	3000	3800	5300	4900	3900	2900	2018	3000	3900	5400	5000	4000	2900
Year	2412	3790	5168	4363	3563	2539																														
2021	2152	3382	4610	3894	3178	2266																														
2020	2615	4109	5602	4732	3861	2753																														
2019	3000	3800	5300	4900	3900	2900																														
2018	3000	3900	5400	5000	4000	2900																														

Crash Locations	<p>(Incomplete) 2022</p> <p>2021</p> <p>2020</p> <p>2019</p> <p>2018</p>
-----------------	--

Historic Projects <ul style="list-style-type: none"> Unknown Retreatment Resurface Bituminous Mix Skinny Mix Bituminous Seal 	Functional Class <ul style="list-style-type: none"> 1 - Interstate System 2 - Other Freeways and Expressways 3 - Principal Arterial 4 - Minor Arterial 5 - Major Collector 6 - Minor Collector 	Curves <ul style="list-style-type: none"> Left Right 	Grades <ul style="list-style-type: none"> grade up grade down 	Traffic Counters <ul style="list-style-type: none"> Continuous (CTC) Weight-In-Motion (WIM) Short-Term, Scheduled Short-Term, Unscheduled 	Crash Locations <ul style="list-style-type: none"> Fatal Injury Property Damage Only Unknown Crash Type 	Mileage by Functional Class By Sheet 5032 5 - Major Collector 0.820 5032 6 - Minor Collector 0.220	Mileage by Town By Sheet BURLINGTON - S50320403 1.04 of 1.04	DISTRICT 5	TOWN BURLINGTON	Date: 10/03/22	ROUTE Urb-5032
Page Total Mileage: 1.04 mi						Page Total Mileage: 1.04 mi					
1 of 1 TWN mileage: 0.0 to 1.04										ETE mileage: 0.0 to 1.04	

For More Information Contact - Vermont Agency of Transportation, Policy, Planning and Intermodal Development Division - Mapping Section, 219 North Main Street, Barre, VT 05641 Telephone: 802-828-2600.